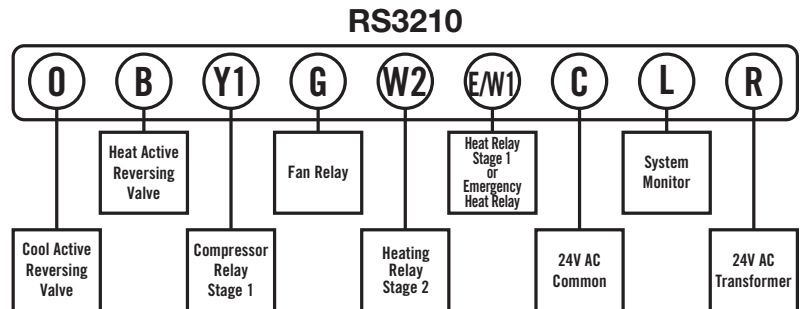
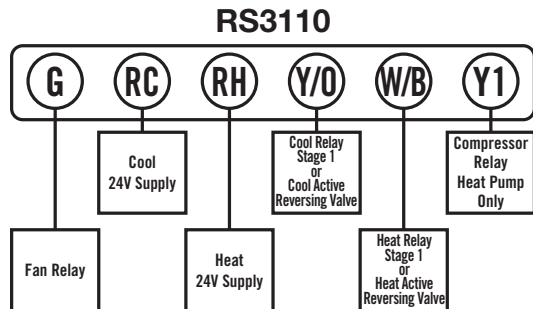


Robertshaw®

RS3110 ECONOMY SERIES RS3210 DIGITAL PROGRAMMABLE THERMOSTATS

Terminal Designations



Technical Specifications

Product Weight	11.2 oz.
Electrical Rating	24V AC (18-30V AC) 1 amp maximum load per terminal 3 amp total maximum load (all terminals combined)
Temp. Control Range	45°F to 95°F (7°C to 35°C)
Accuracy	± 1°F (± 0.5°C)
Power	RS3110 – 3.0V DC (2 AA alkaline batteries included) RS3210 – 24V AC with battery back-up (2 AA alkaline batteries included)
System Configurations	RS3110 – Single stage electric, gas, oil or millivolt heating or heating/cooling systems including single stage heat pump systems RS3210 – Multi-stage electric, gas or oil heating or heating/cooling systems including multi-stage heat pump systems
Terminations	RS3110 – G, RC, RH, Y/O, W/B, Y1 RS3210 – O, B, Y1, G, W2, E/W1, C, L, R

Replacement Chart

RS3110	
Robertshaw®	8600, 8601
Braeburn®	2000, 2010, 2000NC
Lux	TX500, TX500E
Honeywell	TH2110D
White-Rodgers	1F78-151
RS3210	
Robertshaw®	8625
Braeburn®	2100, 2110, 2200
Lux	HP2110
Honeywell	TH2210D, TH4210D, T8001C, T8001F, T8011F
White-Rodgers	1F72-151

Verify specific application requirements before substitution.

Shipping Specifications

Individual Carton Dimensions	8" x 1.4" x 4.5"
Master Carton Quantity	6
Master Carton Dimensions	8.46" x 8.07" x 5.71"
Master Carton Weight	4.4 lbs.

Stokes

24 Palmerston Road West, Ringwood Vic 3134
Ph 03 9872 7474 .. Fx 03 9872 7444
Parts@stokes-us.com.au .. Freecall 1800 333 191